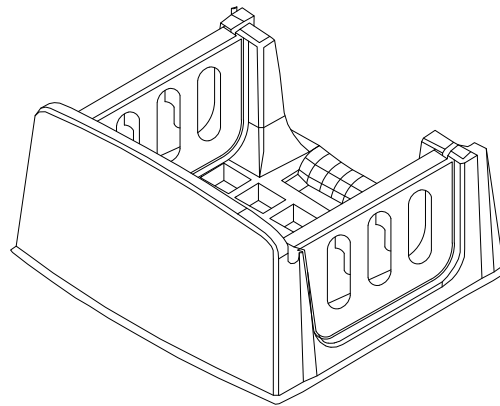
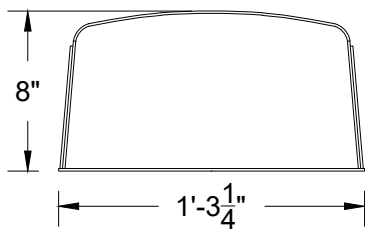


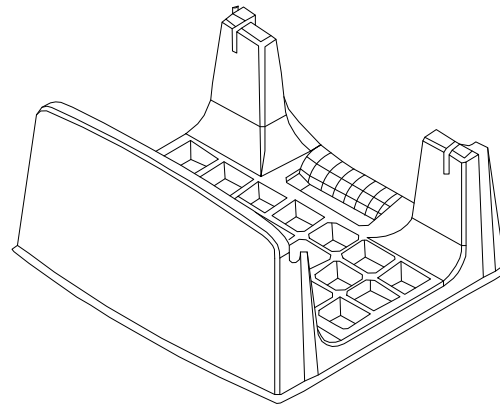
TOP VIEW



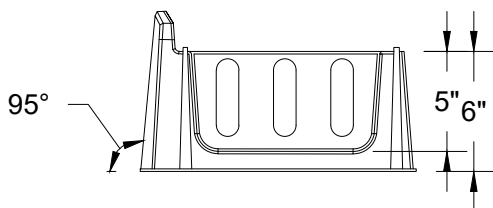
ISO VIEW WITH SIDE RAILS



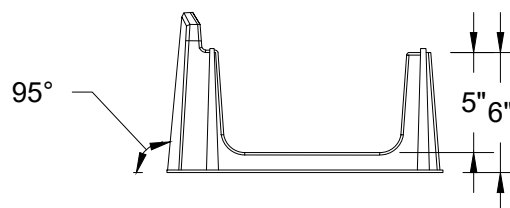
FRONT VIEW



ISO VIEW WITHOUT SIDE RAILS

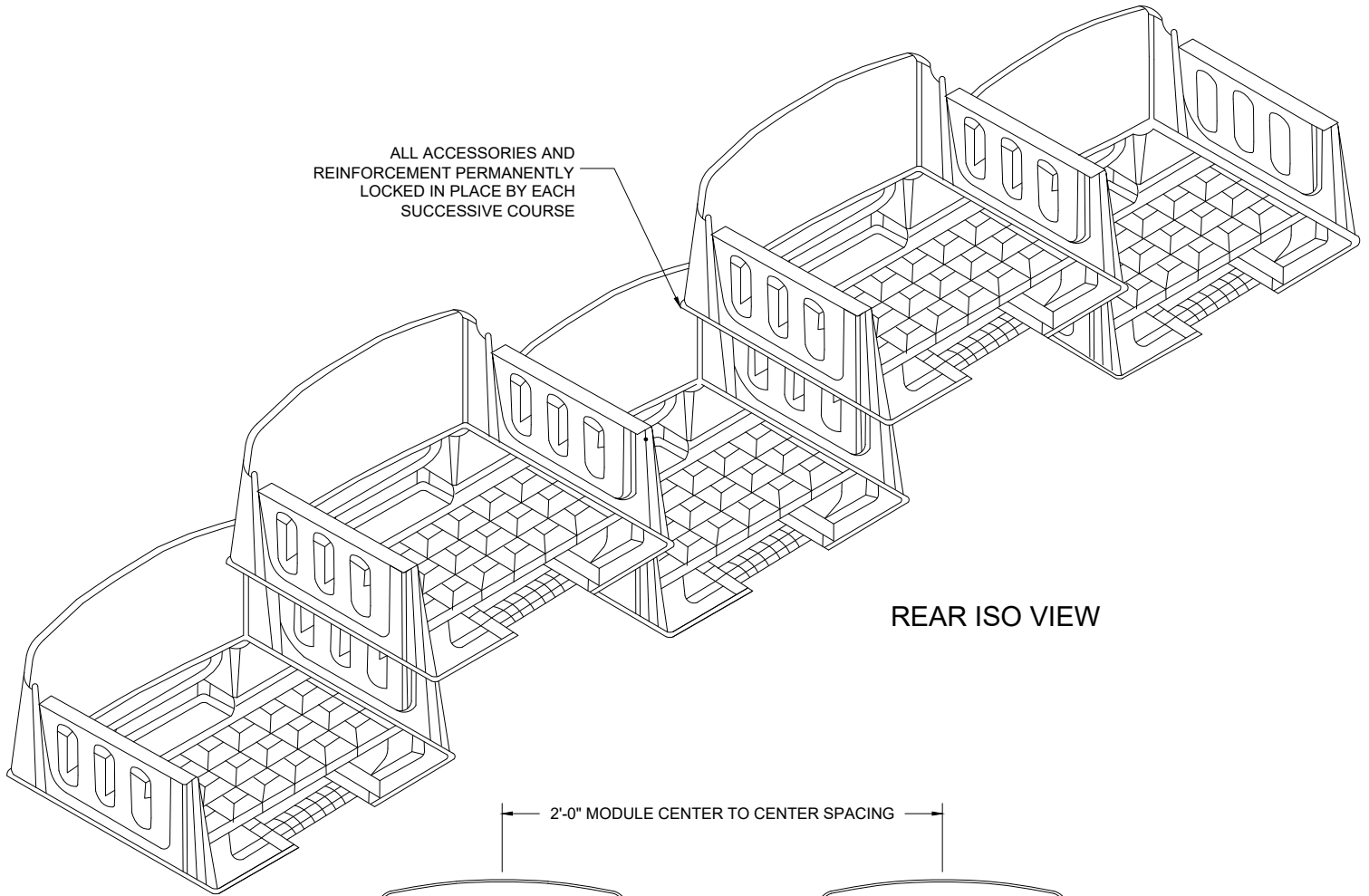


SIDE VIEW WITH SIDE RAILS

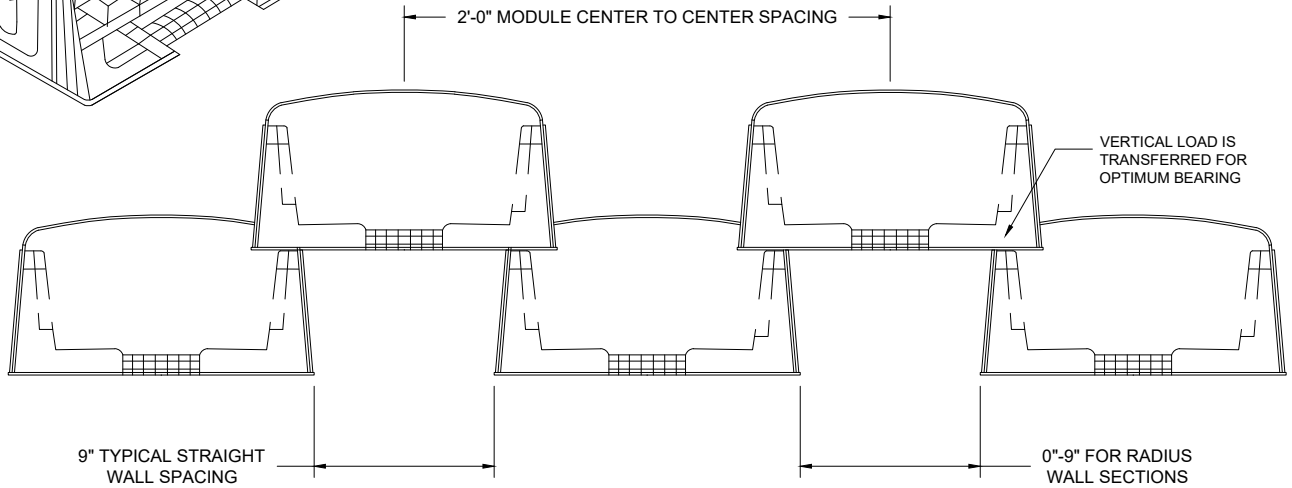


SIDE VIEW WITHOUT SIDE RAILS

ALL ACCESSORIES AND
REINFORCEMENT PERMANENTLY
LOCKED IN PLACE BY EACH
SUCCESSIVE COURSE

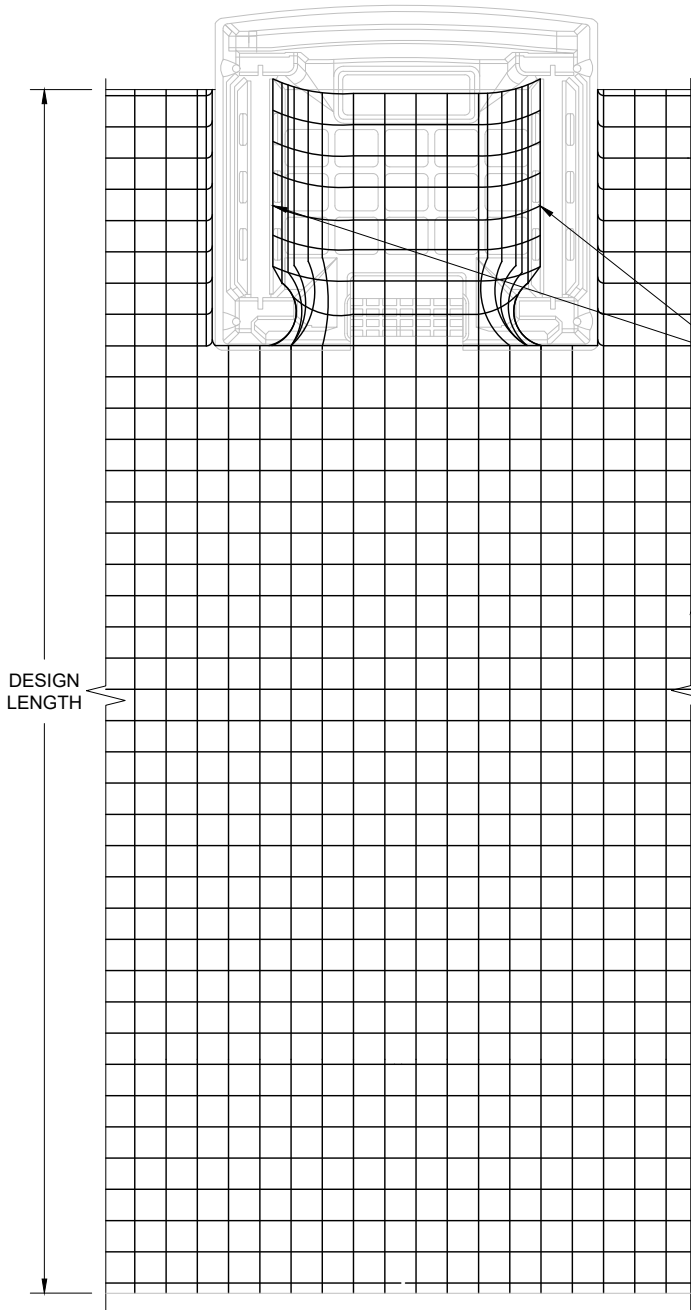


REAR ISO VIEW



VARDEN BLOCK SPACING REAR VIEW DETAIL

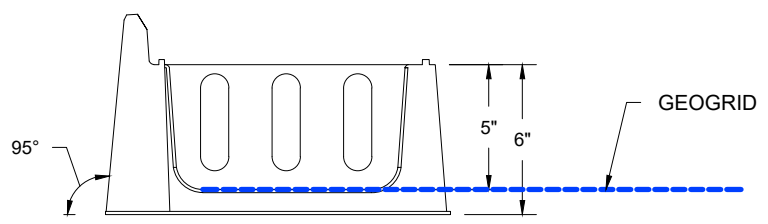
NO SCALE



GEOGRID REINFORCEMENT TO BE CUT PERPENDICULAR TO WALL AND WRAPPED AROUND VERTICAL SIDE RAILS. DO NOT CUT GEOGRID PARALLEL TO WALL FACE. EXTEND REINFORCEMENT BEHIND TO FULL LENGTH

GEOGRID

DESIGN LENGTH



VARDEN BLOCK REINFORCEMENT DETAIL

NO SCALE

COPYRIGHT 2026 DIY RETAINING WALL®, LLC

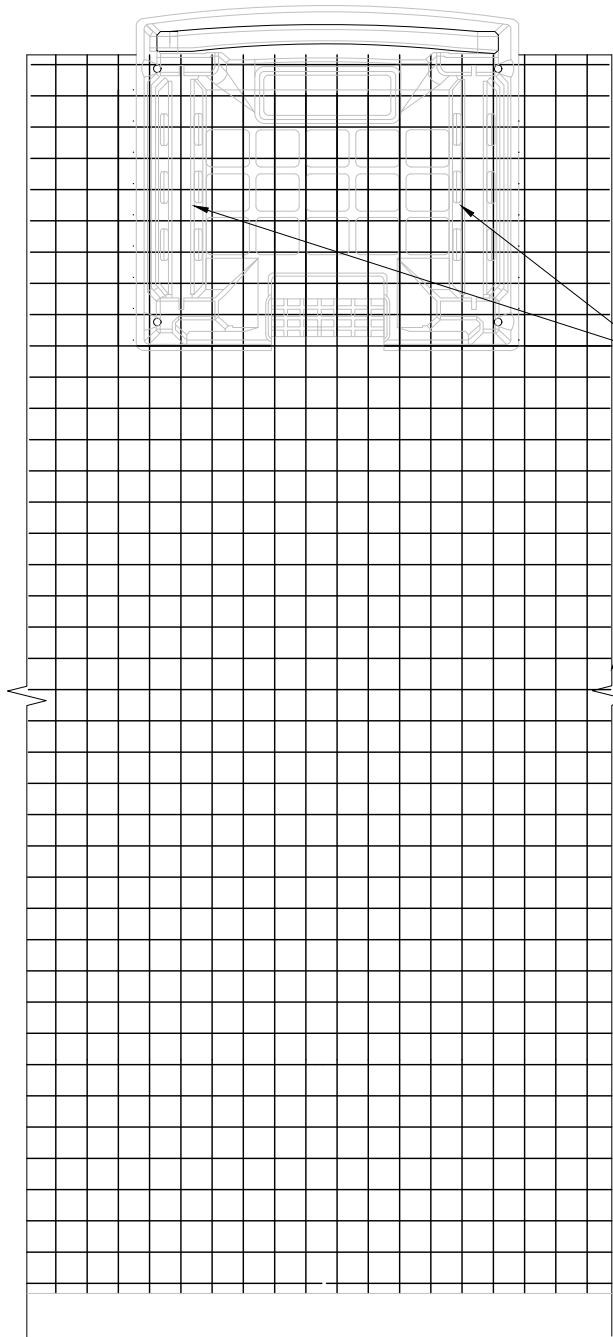


PREPARED BY:
DIY
 RETAINING WALL
 For engineering services,
 contact DIY Retaining Wall, LLC
 www.diyretainingwall.com
 contact@diyretainingwall.com

The information contained herein has been compiled by DIY Retaining Wall, LLC and to the best of our knowledge represents the Varden Block product used in the applications which are illustrated. Final determination of the suitability for the use contemplated and manner of use are the sole responsibility of the user. Design and analysis shall be performed by a qualified engineer.

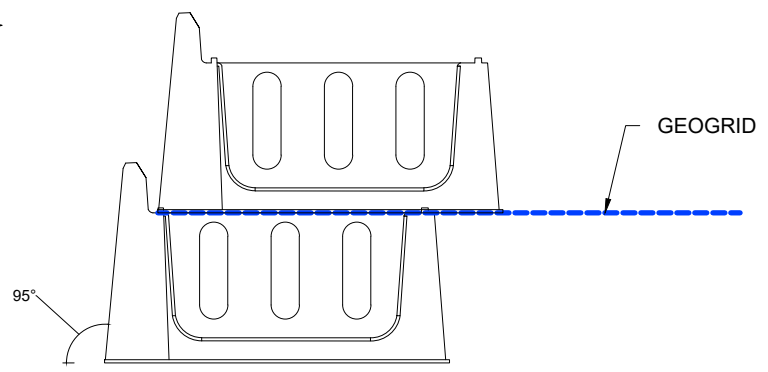
SCALE:
 NONE

**VARDEN BLOCK
 REINFORCEMENT DETAIL**



GEOGRID REINFORCEMENT TO BE PLACED HORIZONTALLY ON TOP OF WALL BLOCK UNITS AT DESIGNATED COURSES AFTER BACKFILL HAS BEEN PLACED AND COMPACTED TO THE TOP OF BLOCK. EXTEND REINFORCEMENT PERPENDICULAR TO WALL FACE TO FULL DESIGN LENGTH INTO BACKFILL. DO NOT CUT GEOGRID PARALLEL TO WALL FACE.

GEOGRID



GEOGRID

95°

VARDEN BLOCK REINFORCEMENT DETAIL - ALTERNATIVE

NO SCALE



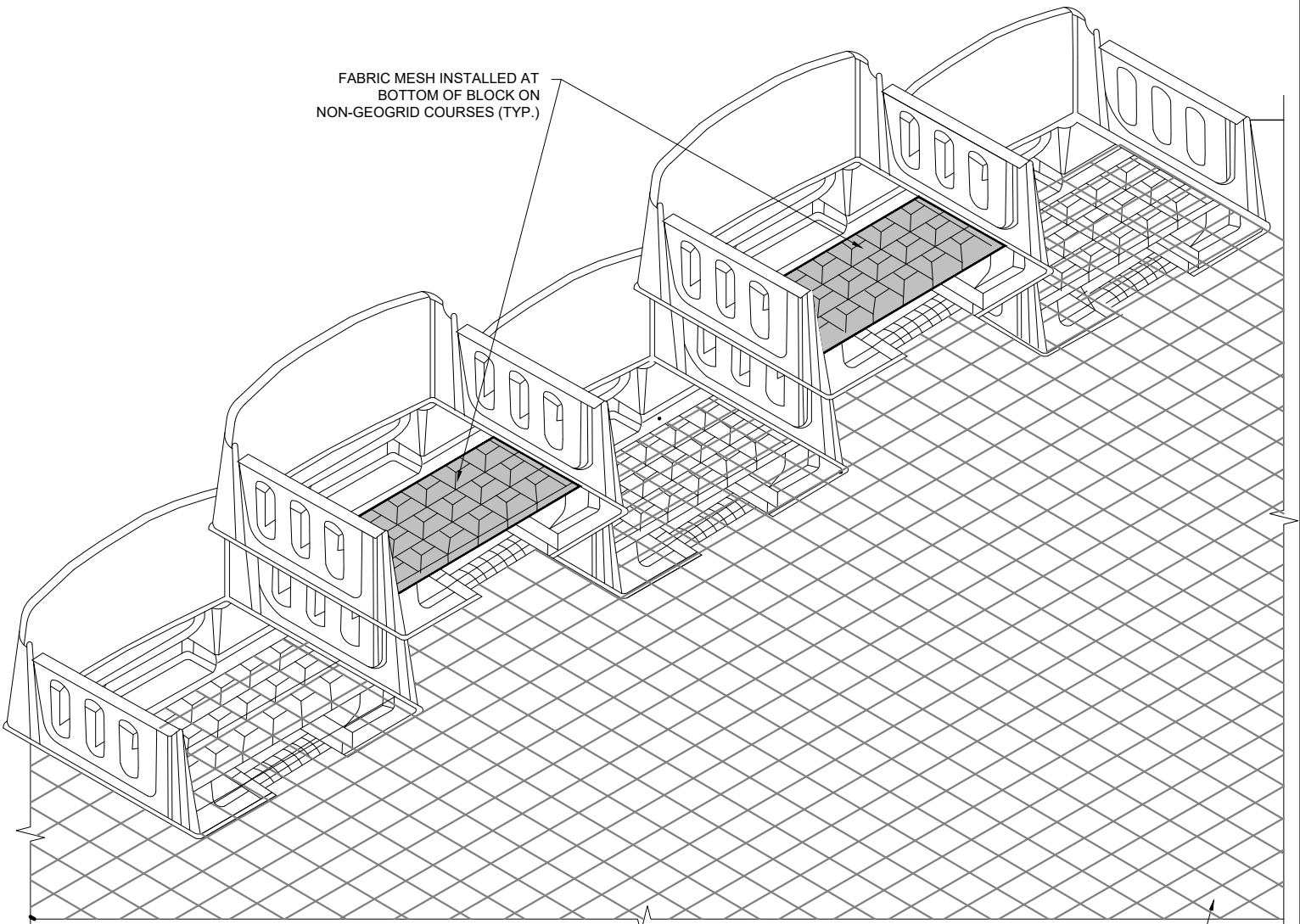
PREPARED BY:
DIY
 RETAINING WALL
 For engineering services,
 contact DIY Retaining Wall, LLC
 www.diyretainingwall.com
 contact@diyretainingwall.com

The information contained herein has been compiled by DIY Retaining Wall, LLC and to the best of our knowledge represents the Varden Block product used in the applications which are illustrated. Final determination of the suitability for the use contemplated and manner of use are the sole responsibility of the user. Design and analysis shall be performed by a qualified engineer.

SCALE:
 NONE

**VARDEN BLOCK
 REINFORCEMENT DETAIL
 - ALTERNATIVE**

FABRIC MESH INSTALLED AT
BOTTOM OF BLOCK ON
NON-GEOGRID COURSES (TYP.)

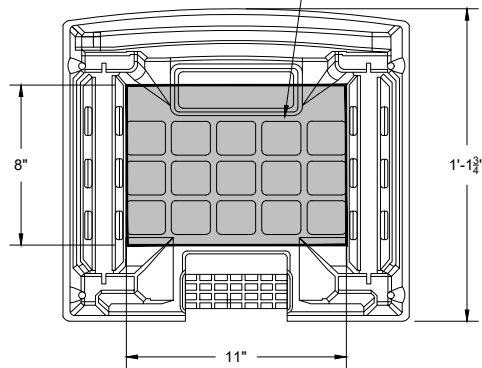


VARDEN BLOCK WITH FABRIC MESH DETAIL FOR NON-GEOGRID COURSES

NO SCALE

GEOGRID

FABRIC MESH INSTALLED AT
BOTTOM OF BLOCK ON
NON-GEOGRID COURSES (TYP.)



VARDEN BLOCK WITH FABRIC MESH DETAIL FOR NON-GEOGRID COURSES

NO SCALE

NOTE: THE FABRIC MESH SHOWN ABOVE IS OPTIONAL, BUT HELPS PREVENT SOIL LOSS DUE TO EROSION AND RUNOFF BEFORE VEGETATION IS ESTABLISHED. FABRIC MESH SHALL BE FILTrex GARDEN SOCK MESH OR APPROVAL EQUAL.

PREPARED BY:



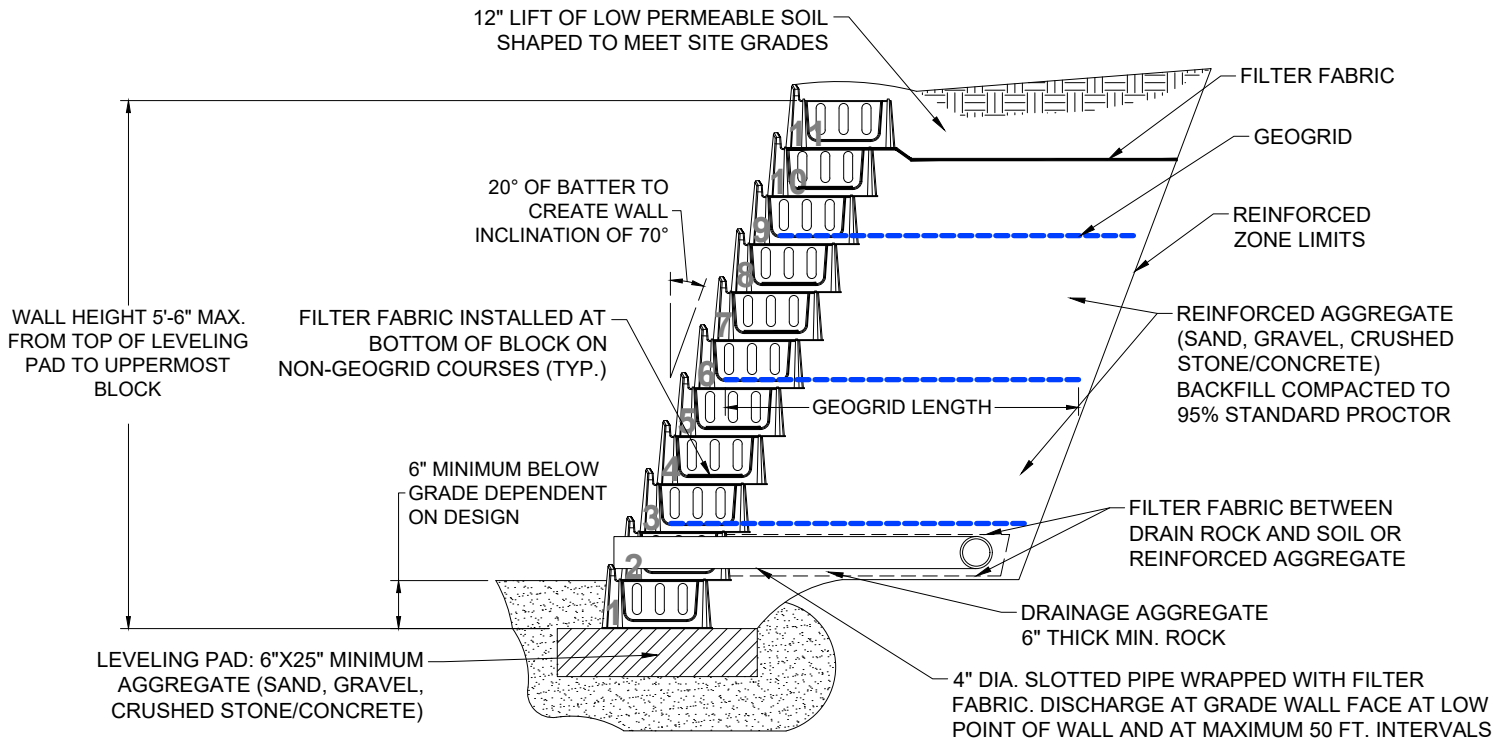
For engineering services,
contact DIY Retaining Wall, LLC
www.diyretainingwall.com
contact@diyretainingwall.com

The information contained herein has been compiled by DIY Retaining Wall, LLC and to the best of our knowledge represents the Varden Block product used in the applications which are illustrated. Final determination of the suitability for the use contemplated and manner of use are the sole responsibility of the user. Design and analysis shall be performed by a qualified engineer.

SCALE:
NONE

**VARDEN BLOCK WITH
FILTER FABRIC DETAIL FOR
NON-GEOGRID COURSES**

NOTE: WALL INSTALLATION CAN BE ACCOMPLISHED WITH NO SIDE RAIL WHEN INSTALLING GARDENSOXX.



NOTES:

1. THE MAXIMUM HEIGHT OF A VARDEN BLOCK WALL SHALL BE NO MORE THAN 11 BLOCKS OR 5'-6" AS MEASURED FROM THE TOP OF THE LEVELING PAD.
2. THE DESIGN DEPTH OF REINFORCEMENT SHALL BE AS DESIGN BY A QUALIFIED PROFESSIONAL ENGINEER.

VARDEN BLOCK TYPICAL REINFORCED SECTION AT MAXIMUM HEIGHT
NO SCALE

GENERAL NOTES:

1. THE SECTION SHOWN IS A REPRESENTATIVE WALL SECTION. THE WALL HEIGHTS, ELEVATIONS, EMBEDMENT, AND SLOPES VARY ACCORDING TO THE SITE SPECIFIC DESIGN.
2. UPON EXCAVATION, WHERE UNSUITABLE SOILS ARE FOUND, SUBCUT FOUNDATION SOILS AS REQUIRED BY THE ONSITE GEOTECHNICAL ENGINEER AND REPLACE WITH SUITABLE COMPACTED STRUCTURAL FILL TO ACHIEVE THE REQUIRED BEARING CAPACITY.
3. ALL WORK SHALL COMPLY WITH ALL STATE, COUNTY AND CITY REGULATIONS AND CODES AS WELL AS OSHA STANDARDS.

COPYRIGHT 2026 DIY RETAINING WALL®, LLC

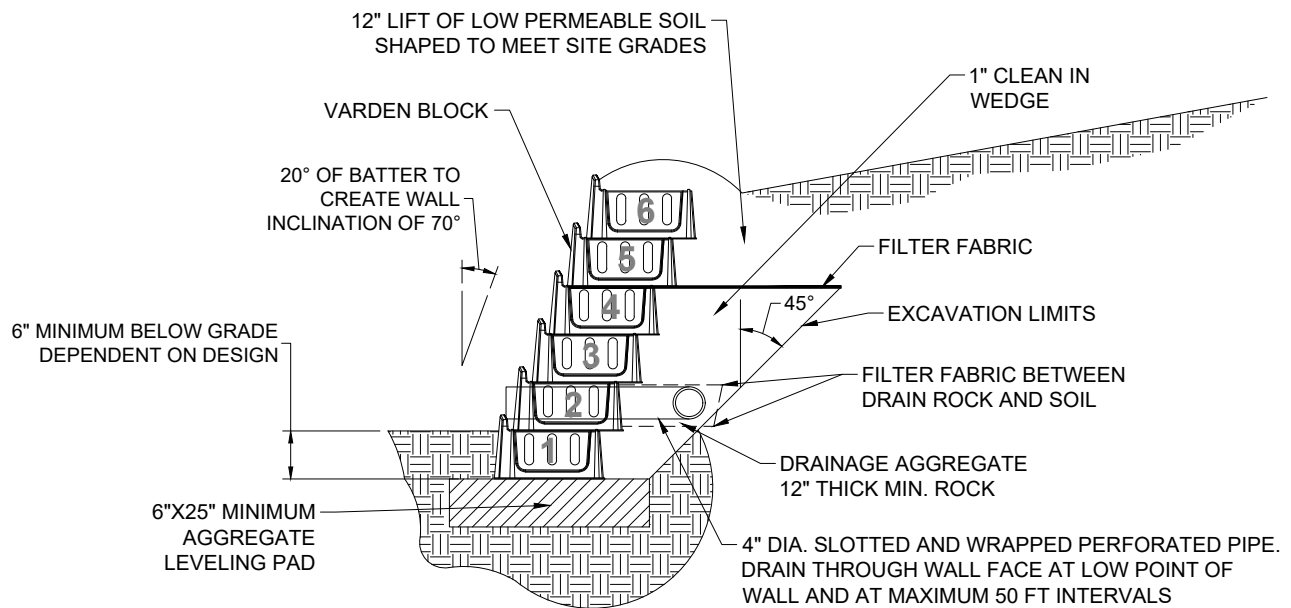


PREPARED BY:
DIY
 RETAINING WALL
 For engineering services,
 contact DIY Retaining Wall, LLC
 www.diyretainingwall.com
 contact@diyretainingwall.com

The information contained herein has been compiled by DIY Retaining Wall, LLC and to the best of our knowledge represents the Varden Block product used in the applications which are illustrated. Final determination of the suitability for the use contemplated and manner of use are the sole responsibility of the user. Design and analysis shall be performed by a qualified engineer.

SCALE:
NONE

**VARDEN BLOCK TYPICAL
REINFORCED SECTION AT
MAXIMUM HEIGHT**



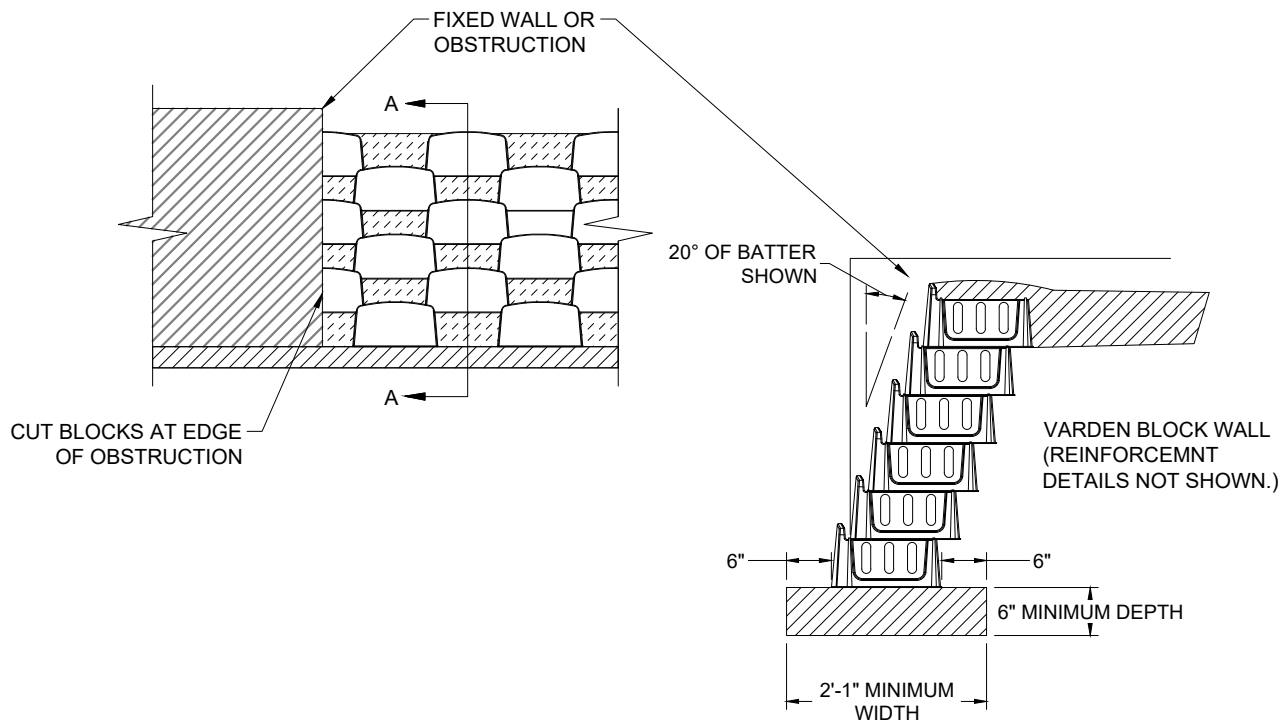
IMPORTANT: GRAVITY WALL LIMITED TO NO MORE THAN 6 TOTAL BLOCK COURSES TALL AT ANY LOCATION ON THE WALL. TALLER GRAVITY WALLS ARE POSSIBLE WITH SITE SPECIFIC DESIGN PREPARED BY AN EXPERIENCED PROFESSIONAL ENGINEER.

VARDEN BLOCK TYPICAL GRAVITY SECTION DETAIL

NO SCALE

GENERAL NOTES:

1. THE SECTION SHOWN IS A REPRESENTATIVE WALL SECTION. THE WALL HEIGHTS, ELEVATIONS, EMBEDMENT, AND SLOPES VARY ACCORDING TO THE SITE SPECIFIC DESIGN.
2. UPON EXCAVATION, WHERE UNSUITABLE SOILS ARE FOUND, SUBCUT FOUNDATION SOILS AS REQUIRED BY THE ONSITE GEOTECHNICAL ENGINEER AND REPLACE WITH SUITABLE COMPACTED STRUCTURAL FILL TO ACHIEVE THE REQUIRED BEARING CAPACITY.
3. ALL WORK SHALL COMPLY WITH ALL STATE, COUNTY AND CITY REGULATIONS AND CODES AS WELL AS OSHA STANDARDS.



SECTION A-A

VARDEN BLOCK ABUTMENT WITH SIDE RAIL DETAIL
NO SCALE

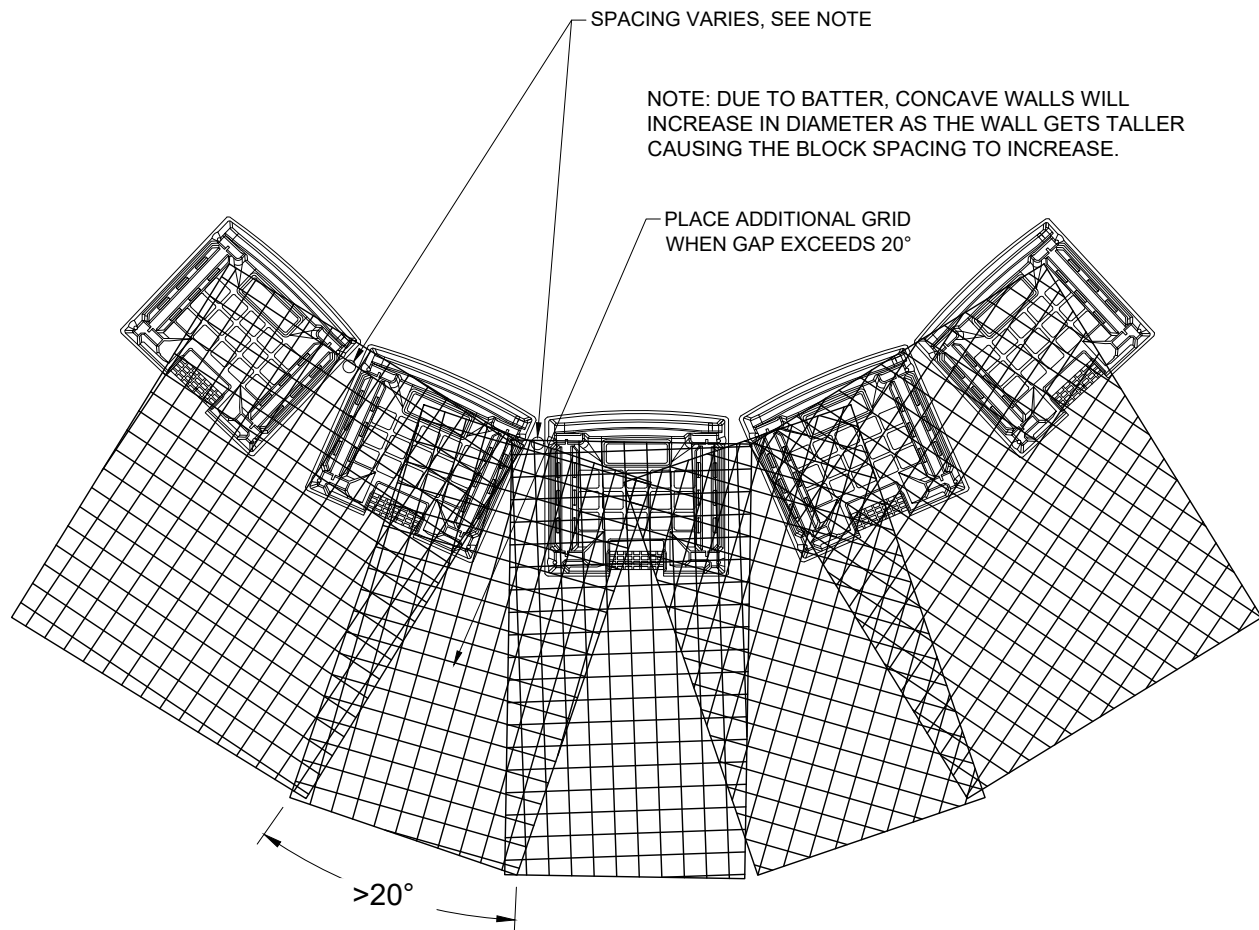


PREPARED BY:
DIY
 RETAINING WALL
 For engineering services,
 contact DIY Retaining Wall, LLC
 www.diyretainingwall.com
 contact@diyretainingwall.com

The information contained herein has been compiled by
 DIY Retaining Wall, LLC and to the best of our
 knowledge represents the Varden Block product used in
 the applications which are illustrated. Final determination
 of the suitability for the use contemplated and manner of
 use are the sole responsibility of the user. Design and
 analysis shall be performed by a qualified engineer.

SCALE:
 NONE

**VARDEN BLOCK ABUTMENT
 WITH SIDE RAIL DETAIL**



VARDEN BLOCK CONCAVE RADIUS DETAIL
NO SCALE



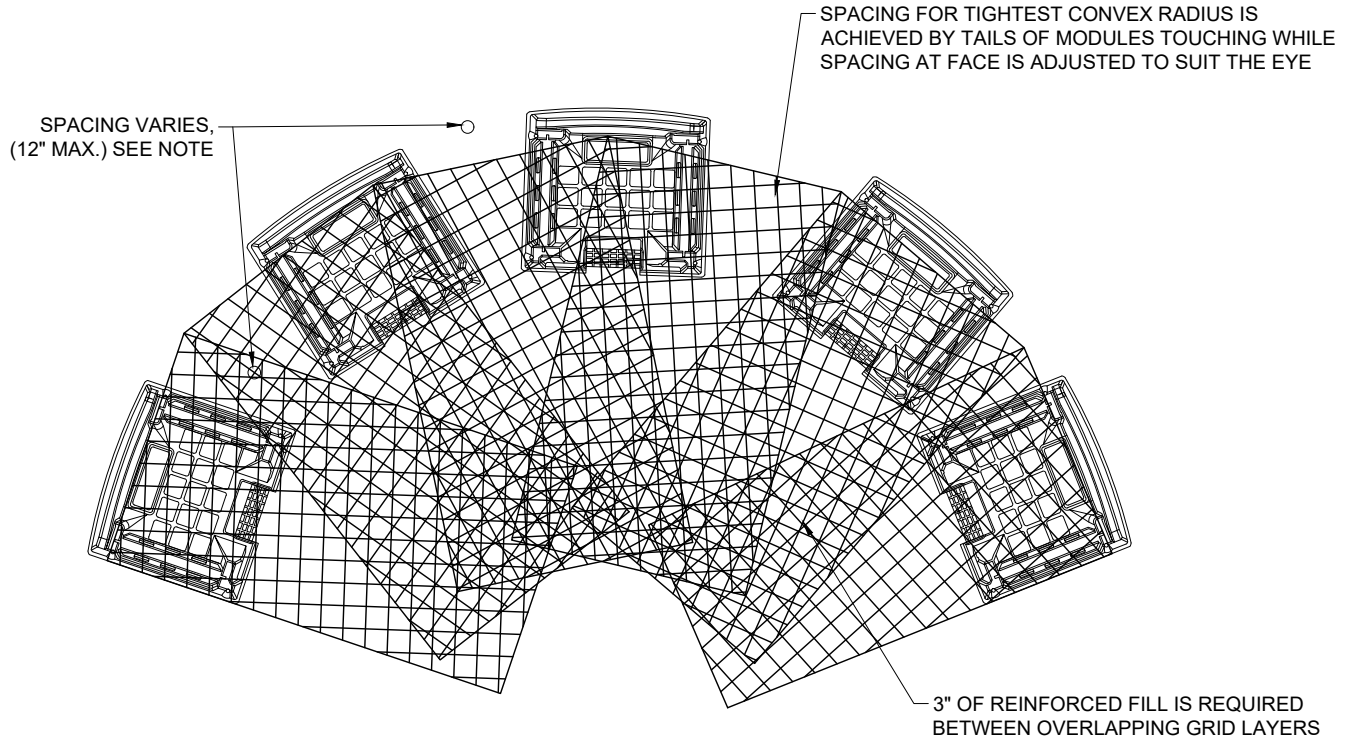
PREPARED BY:
DIY
 RETAINING WALL
 For engineering services,
 contact DIY Retaining Wall, LLC
www.diyretainingwall.com
contact@diyretainingwall.com

The information contained herein has been compiled by DIY Retaining Wall, LLC and to the best of our knowledge represents the Varden Block product used in the applications which are illustrated. Final determination of the suitability for the use contemplated and manner of use are the sole responsibility of the user. Design and analysis shall be performed by a qualified engineer.

SCALE:
NONE

VARDEN BLOCK CONCAVE RADIUS DETAIL

NOTE: DUE TO BATTER, CONVEX WALLS WILL DECREASE IN DIAMETER AS THE WALL GETS TALLER CAUSING THE BLOCK SPACING TO DECREASE.



VARDEN BLOCK CONVEX RADIUS DETAIL

NO SCALE

COPYRIGHT 2026 DIY RETAINING WALL®, LLC

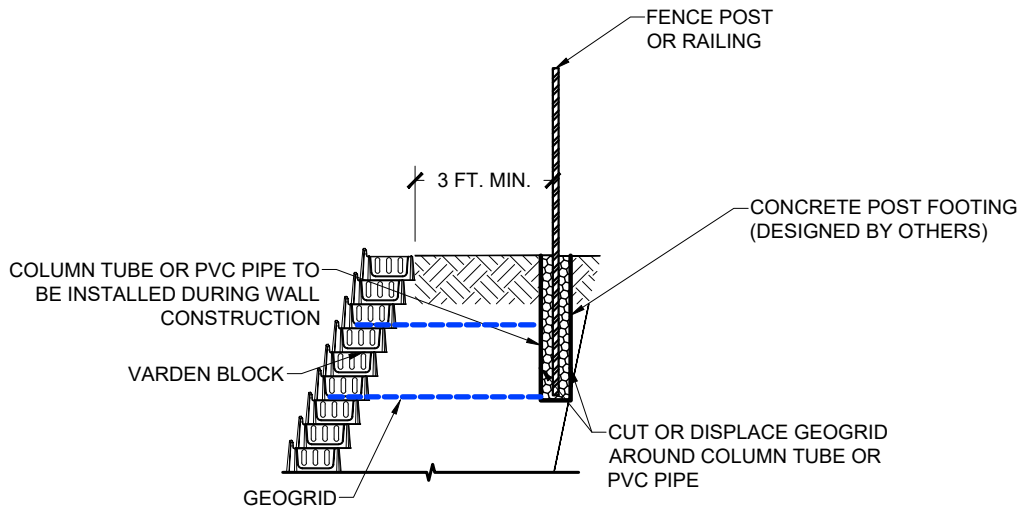


PREPARED BY:
DIY
 RETAINING WALL
 For engineering services,
 contact DIY Retaining Wall, LLC
www.diyretainingwall.com
contact@diyretainingwall.com

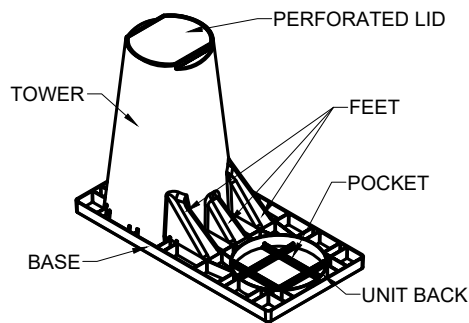
The information contained herein has been compiled by DIY Retaining Wall, LLC and to the best of our knowledge represents the Varden Block product used in the applications which are illustrated. Final determination of the suitability for the use contemplated and manner of use are the sole responsibility of the user. Design and analysis shall be performed by a qualified engineer.

SCALE:
 NONE

**VARDEN BLOCK CONVEX
 RADIUS DETAIL**

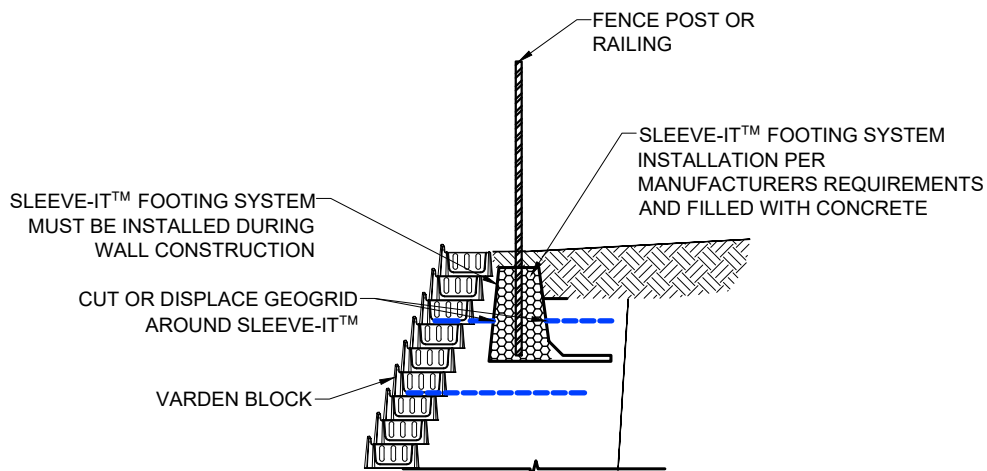


VARDEN BLOCK FENCE POST DETAIL (OPTION 1)
NO SCALE

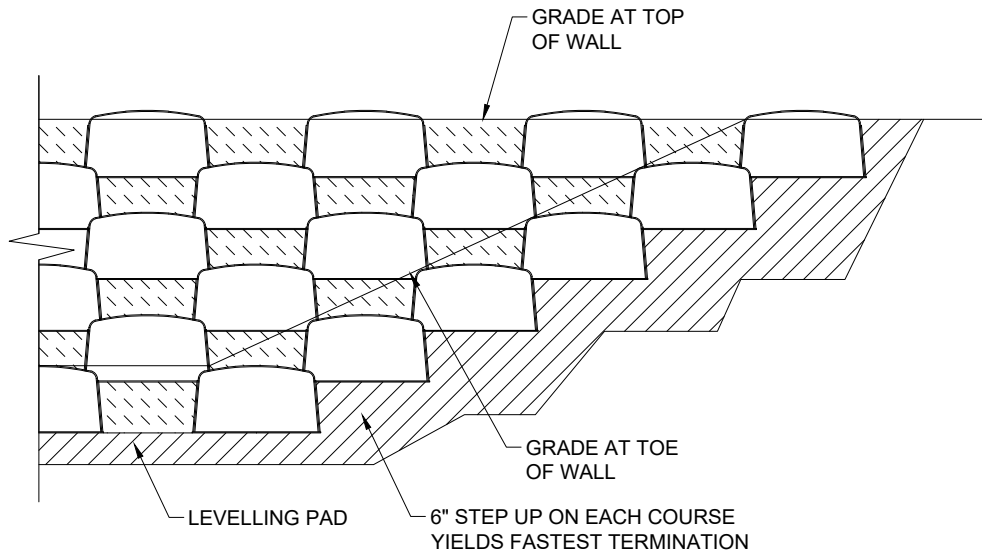


SLEEVE-IT® SD-1

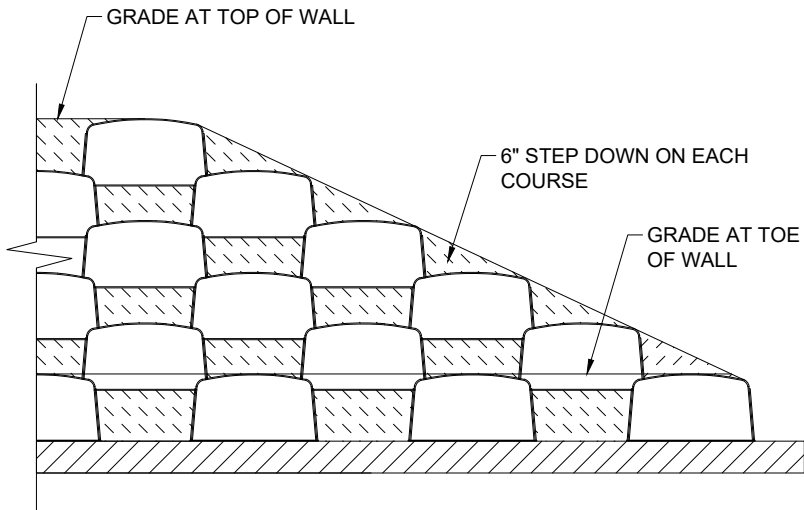
SEE SLEEVE-IT® SYSTEM MANUFACTURER, STRATA SYSTEMS FOR COMPLETE SPECIFICATIONS, AND TECHNICAL GUIDANCE



VARDEN BLOCK FENCE POST DETAIL (OPTION 2)
NO SCALE



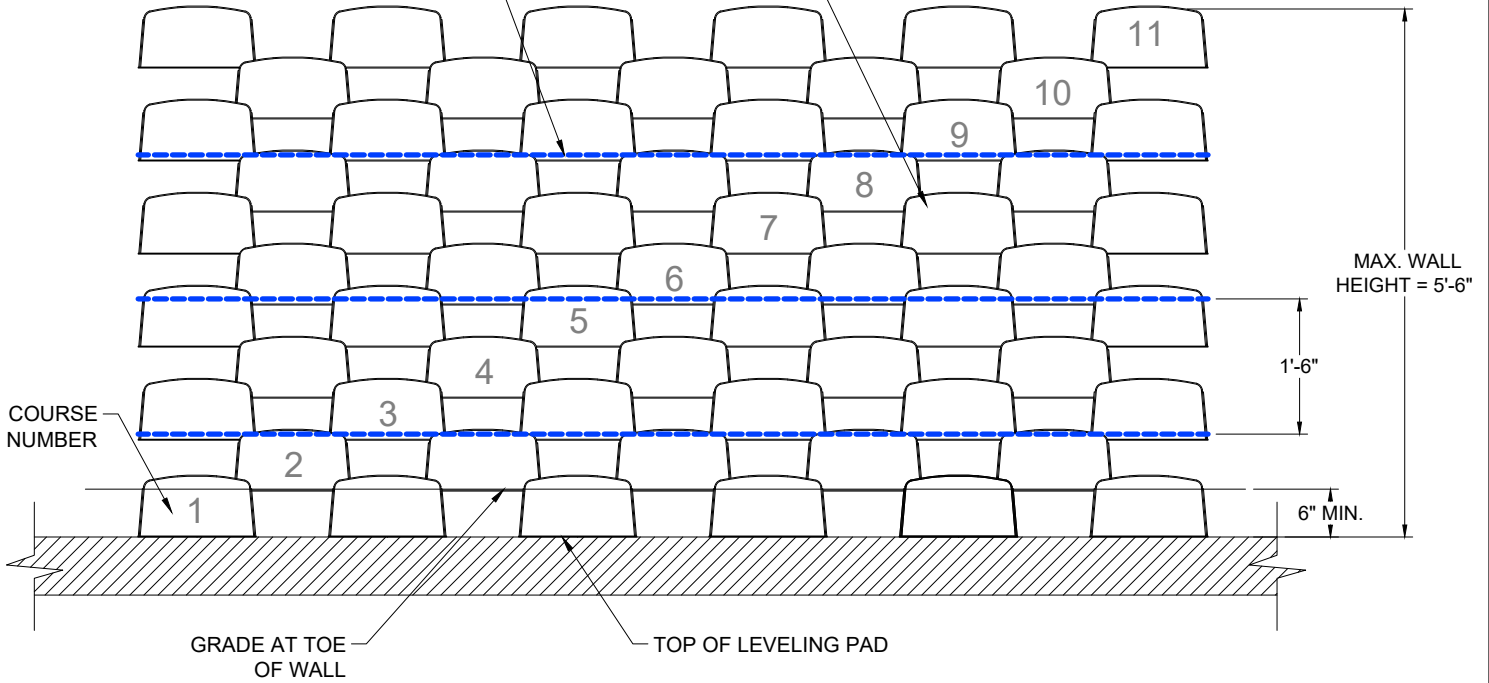
VARDEN BLOCK TYPICAL BOTTOM COURSE STEP UP DETAIL
NO SCALE



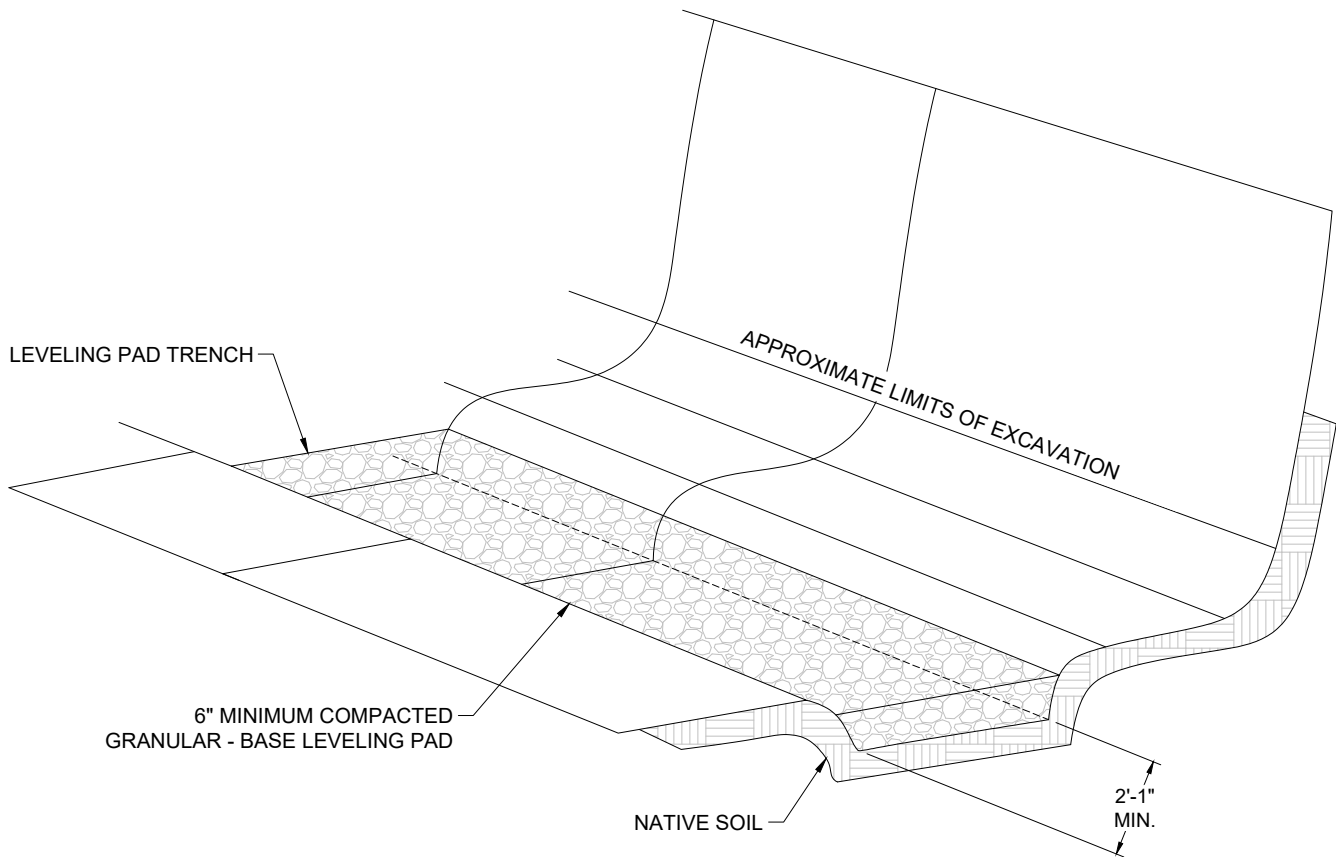
VARDEN BLOCK TYPICAL TOP COURSE STEP DOWN DETAIL
NO SCALE

GEOGRID CONNECTS TO MODULES ON REINFORCEMENT COURSE. START REINFORCEMENT COURSE MAXIMUM SPACING ON COURSE #2

INDICATES LOCATION OF GEOGRID REINFORCEMENT



VARDEN BLOCK WALL ELEVATION DETAIL
NO SCALE



COPYRIGHT 2026 DIY RETAINING WALL®, LLC



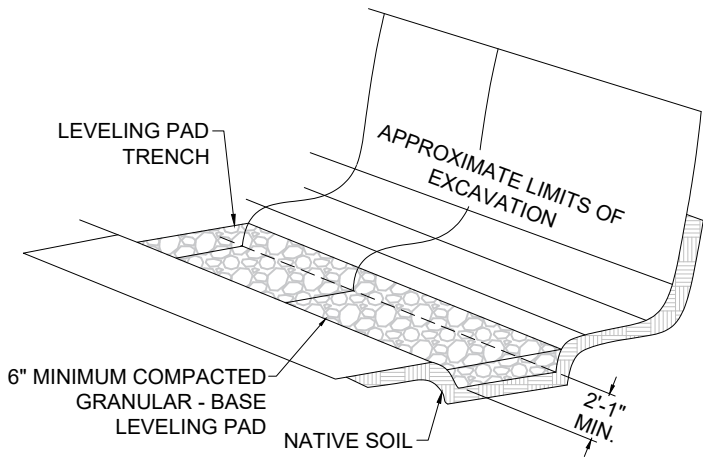
PREPARED BY:
DIY
 RETAINING WALL
 For engineering services,
 contact DIY Retaining Wall, LLC
 www.diyretainingwall.com
 contact@diyretainingwall.com

The information contained herein has been compiled by
 DIY Retaining Wall, LLC and to the best of our
 knowledge represents the Varden Block product used in
 the applications which are illustrated. Final determination
 of the suitability for the use contemplated and manner of
 use are the sole responsibility of the user. Design and
 analysis shall be performed by a qualified engineer.

SCALE:
 NONE

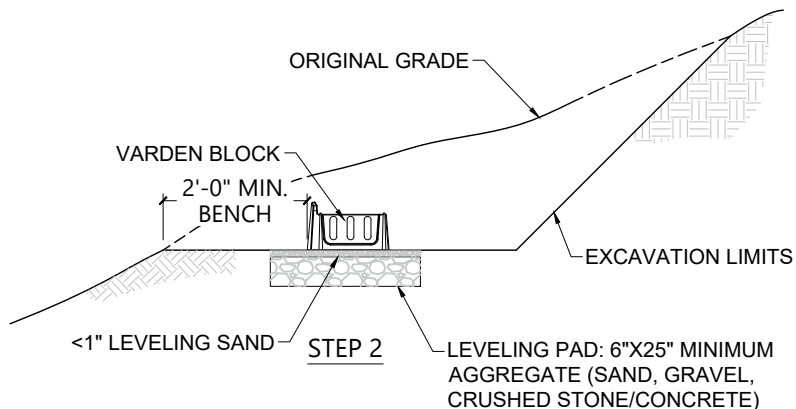
**VARDEN BLOCK
 TYPICAL BASE
 PREPARATION
 DETAIL**

- EXCAVATE FOR LEVELING PAD AND LEVEL BASE TO A LENGTH ADEQUATE FOR REINFORCEMENT LENGTH.
- INSTALL LEVELING PAD AGGREGATE.



STEP 1

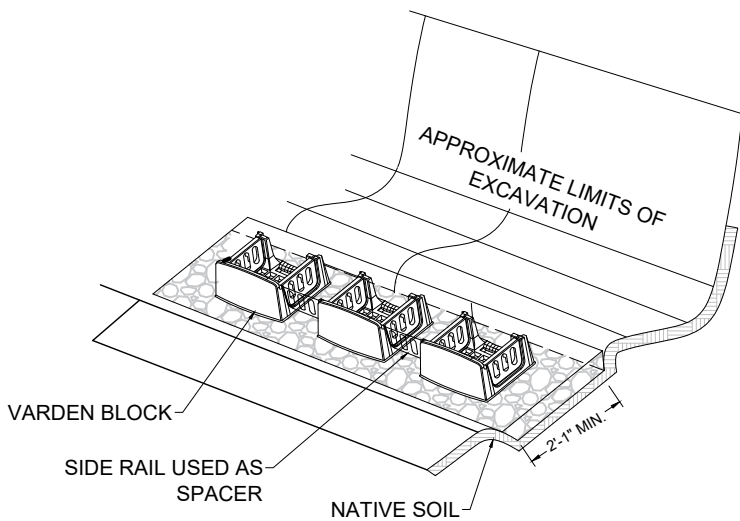
- USE UP TO 1" OF LEVELING SAND AS NECESSARY TO CREATE LEVEL BASE.
- PLACE BOTTOM VARDEN BLOCK AT FACE OF WALL AS SHOWN ON WALL PROFILE.



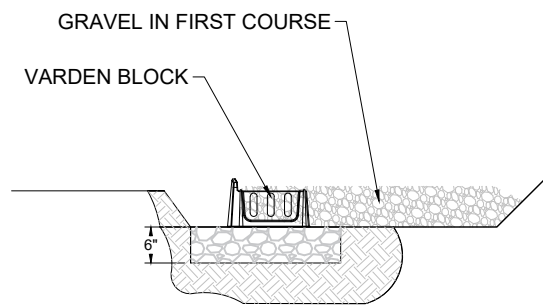
STEP 2

- FOR THE FIRST COURSE OF THE WALL, ALIGN VARDEN BLOCK WITH 9" GAPS AND SIDE RAIL USED AS SPACER.

- PLACE GRAVEL BACKFILL IN FIRST COURSE OF BLOCKS AND TO THE END OF THE CUT TO LEVEL WITH THE TOP OF THE BLOCK. COMPACT TO PROJECT REQUIREMENTS



STEP 5



STEP 4

COPYRIGHT 2026 DIY RETAINING WALL®, LLC



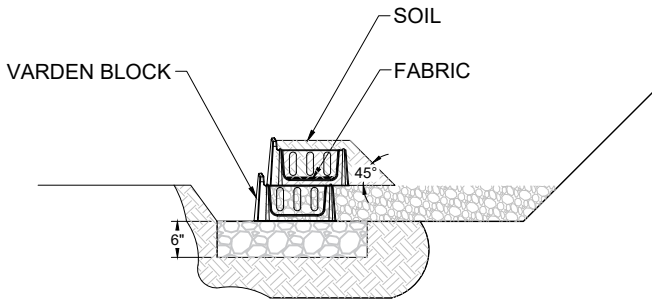
PREPARED BY:
DIY RETAINING WALL
 For engineering services, contact DIY Retaining Wall, LLC
 www.diyretainingwall.com
 contact@diyretainingwall.com

The information contained herein has been compiled by DIY Retaining Wall, LLC and to the best of our knowledge represents the Varden Block product used in the applications which are illustrated. Final determination of the suitability for the use contemplated and manner of use are the sole responsibility of the user. Design and analysis shall be performed by a qualified engineer.

SCALE: NONE

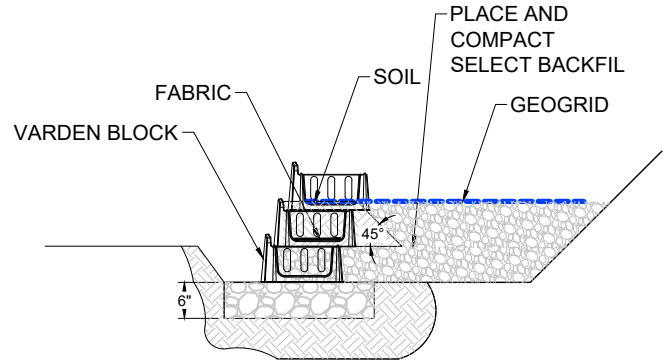
**INSTALLATION STEPS
(1 OF 2)**

- INSTALL SUBSEQUENT BLOCKS IN A RUNNING BOND (STAGGERED) PATTERN, SLIDING EACH BLOCK BACK TO FULLY BEAR AGAINST THE COURSE BELOW.
- INSTALL GEOTEXTILE FABRIC AND BACKFILL SOIL AT THE SECOND COURSE. FOLLOW THIS PROCESS FOR ALL SUBSEQUENT COURSES WITHOUT GEOGRID.
- FOR THE SECOND AND SUBSEQUENT COURSES, PLACE BACKFILL SOIL AT A 45° SLOPE BEHIND THE BLOCKS AND LEVEL WITH THE BLOCK CORES.



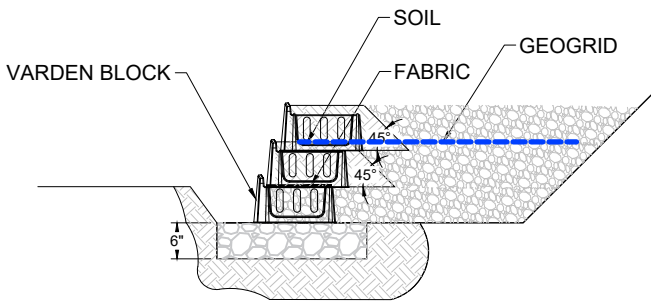
STEP 5

- COMPACT SELECT BACKFILL TO THE REQUIRED DENSITY AT EACH COURSE PRIOR TO PLACEMENT OF THE NEXT COURSE.
- CUT AND PLACE GEOGRID PERPENDICULAR AS REQUIRED TO FIT AROUND BLOCK SIDE RAIL WITHOUT WRINKLING OR FOLDING.



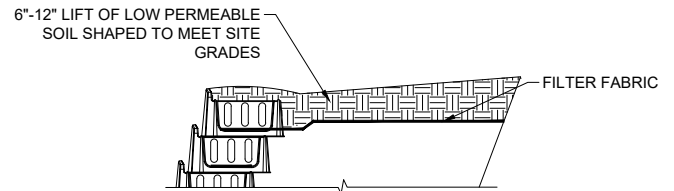
STEP 6

- REPEAT INSTALLATION PROCEDURES FOR EACH COURSE UNTIL THE DESIGN WALL HEIGHT IS ACHIEVED.
- AT EACH COURSE, PLACE BACKFILL SOIL WITHIN BLOCK CORES AND OVER GEOGRID, AND PLACE BACKFILL SOIL AT A 45° SLOPE BEHIND BLOCKS; INSTALL SELECT FILL BEHIND THE SOIL BACKFILL AS SHOWN.



STEP 7

- INSTALL FILTER FABRIC ABOVE AGGREGATE, PLACE THE TOP COURSE BLOCK, AND INSTALL 6"-12" LOW-PERMEABILITY SOIL TO FINISHED SITE GRADE AS SHOWN.



STEP 8